

# A NEW BREAKTHROUGH IN SCANNING PRODUCTIVITY

## EPSON GT-S80 SERIES



- Add quality and efficiency to your high volume business scanning
- High capacity 75 A4-page ADF
- Dual CCD
- 600 dpi optical resolution
- Fast, high-quality scanning up to 40 ppm/80 ipm
- Scan instantly and save energy with Epson ReadyScan LED technology
- High reliability with ultrasonic double feed detection
- 2-line LCD with Scan-to-Job naming for easy one-touch scanning

The Epson GT-S80 Series document scanners deliver fast, high-quality duplex scanning and productivity-enhancing features in a space-saving design. They offer a cost effective paper capture process and easy integration into any document management system for individuals or departments.

They're packed with features and software to add performance and efficiency to business scanning. They're also ideal for archiving or creating a high-quality document management system.

### Productivity enhancing

The 75 A4-page Automatic Document Feeder means that batches of documents can be scanned at a speed up to 40 ppm and 80 ipm in mono, greyscale and colour mode. The ultrasonic detection sensor offers reliability and trouble-free performance, leaving you free to concentrate on other tasks.

### Versatile automatic document feeder

From thin paper invoices to business cards and embossed cards, the Epson GT-S80 Series can scan mixed documents using auto-size and colour detection.

### Flexibility and full integration

The Epson GT-S80 Series provides easy integration with Twain and ISIS driver support. The Epson Event Manager solution, included as standard, eliminates multiple steps in sending scanned documents to predetermined applications or devices. It gives you the flexibility to capture, convert, distribute and store document information in virtually any electronic document management system at a touch of a button.

### Advanced document imaging features

EpsonScan 3.6, included as standard, offers comprehensive features such as searchable PDF, Text Enhancement, RGB dropout, Auto De-Skew and much more to increase operational efficiency.

### Save time and energy

With ReadyScan LED technology you'll benefit from instant scanning and save energy with no warm-up time.

## PRODUCT DIMENSIONS AND SPECIFICATIONS

<b>SCANNER TYPE</b> Photoelectric device Light source Light source benefit Optical resolution Pixel depth	A4 Sheetfed colour document scanner DUAL 3-line CCD (R,G,B) ReadyScan LED technology No warm up time, energy saving 600 dpi Greyscale: 256 levels Colour: 24-bit
<b>SCANNING SPEED</b> A4 200 dpi B/W, greyscale and colour	40 pages per minute / 80 images per minute
<b>AUTO DOCUMENT FEEDER</b> Paper setting capacity Type Paper supply Document size Corresponding paper weight Minimum document size Maximum document size Trouble free paper loading feature Daily duty cycle	75 sheets (75 g/m <sup>2</sup> ) Sheet through, 1 pass duplex scanning Face down load A4, A5, A6, B5, letter and custom sizes From thin paper (50 g/m <sup>2</sup> ) to ID card, business cards and embossed card up 200 g/m <sup>2</sup> Width: 54 mm; Length: 73.4 mm Width: 216 mm; Length: 914 mm Ultrasonic detection sensor 1800 pages
<b>PANEL FUNCTIONS</b>	2-Line LCD to display up to 10 meaningful 'Scan-to-Job' names Up, Down, Start and Cancel buttons One-touch operation for direct scan to file, email, printers, FTP folder, Microsoft SharePoint; any desktop or server application that supports paper capture function
<b>DOCUMENT SCANNING FEATURES</b>	RGB colour dropout, auto format recognition of mixed documents, auto area segmentation, multi-PDF batch scanning, skip blank page, punch holes removal, automatic B/W colour original detection, secure PDF, automatic de-skew, A3 stitching feature, advanced editing features pre-defined scanning settings Format: JPG, TIFF, Multi-TIFF, PDF, Searchable PDF
<b>DRIVER AND SOFTWARE</b>	Epson Scan 3.6, TWAIN, WIA and ISIS* driver support, Epson Event Manager 2.1, Copy Utility, Presto! Page Manager 8 Pro, ABBYY FineReader 6.0 (Win) / 5.0 (Mac) Sprint Plus, Presto! BizCard 5 SE
<b>OTHER ITEMS INCLUDED</b>	USB cable, carrier sheet, AC adapter, Edimax Network Interface for Epson GT-S80N (Windows only)
<b>CONNECTIVITY</b> Epson GT-S80 interface Epson GT-S80N interface (Windows only)	High Speed USB 2.0 External Network Interface or High Speed USB 2.0
<b>SUPPORTED PLATFORMS</b> EpsonScan GT-S80 EpsonScan GT-S80N ISIS	Windows XP, XP x64, 2000, Vista, Vista x64, Mac 10.2.8 or later Windows XP, XP x64, 2000, Vista, Vista x64 Windows XP, XP x64, 2000, Vista, Vista x64
<b>ENVIRONMENTAL CONDITIONS</b> Temperature Humidity	5°C to 35°C (operating) -25°C to 60°C (storage) 10% to 80% without condensation (operating) 10% to 85% without condensation (storage)
<b>POWER REQUIREMENTS</b> Voltage Frequency Power consumption	AC220-240V 50Hz 45 Watts operating, 13 Watts in ready mode Sleep mode: 5W
<b>DIMENSIONS AND WEIGHT</b> Dimensions (WxDxH) Weight	302x198x213 mm (covers closed) Approx. 4.6 kg
<b>WARRANTY</b> Standard warranty Extended warranty	1 year on site Epson CoverPlus 3 year extended warranty on-site (ECPGRP35)

\* Available for free download on [www.epson.co.uk](http://www.epson.co.uk)

## EPSON GT-S80 SERIES

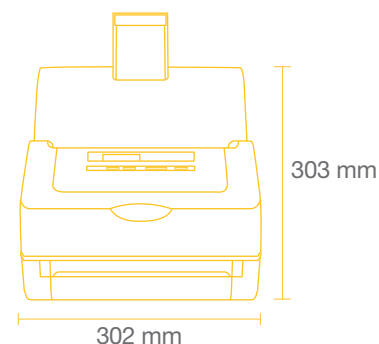
### WHAT'S IN THE BOX

#### Epson GT-S80 – B11B194091BY

- Epson GT-S80 scanner
- Carrier sheet
- AC adapter
- Warranty document
- USB cable
- Epson Event Manager 2.1, Copy Utility, Presto! Page Manager 8 Pro, ABBYY FineReader 6.0 (Win) / 5.0 (Mac) Sprint Plus, Presto! BizCard 5 SE

#### Epson GT-S80N (Windows only) – B11B194091NA

- Epson GT-S80N scanner
- Carrier sheet
- AC adapter
- Warranty document
- USB cable
- Epson Event Manager 2.1, Edimax Network interface, Copy Utility, Presto! Page Manager 8 Pro, ABBYY FineReader 6.0 (Win) / 5.0 (Mac) Sprint Plus, Presto! BizCard 5 SE



For more information please contact

Telephone: 0871 222 6702 (UK)  
 1800 409132 (Republic of Ireland)  
 E-mail: [enquiries@epson.co.uk](mailto:enquiries@epson.co.uk)  
 Chat: [etalk.epson-europe.com](http://etalk.epson-europe.com)  
 Fax: 0871 222 6740

Web: [www.epson.co.uk](http://www.epson.co.uk)  
[www.epson.ie](http://www.epson.ie)

Trademarks and registered trademarks are the property of Seiko Epson Corporation or their respective owners.  
 Product information is subject to change without prior notice.

# EPSON®